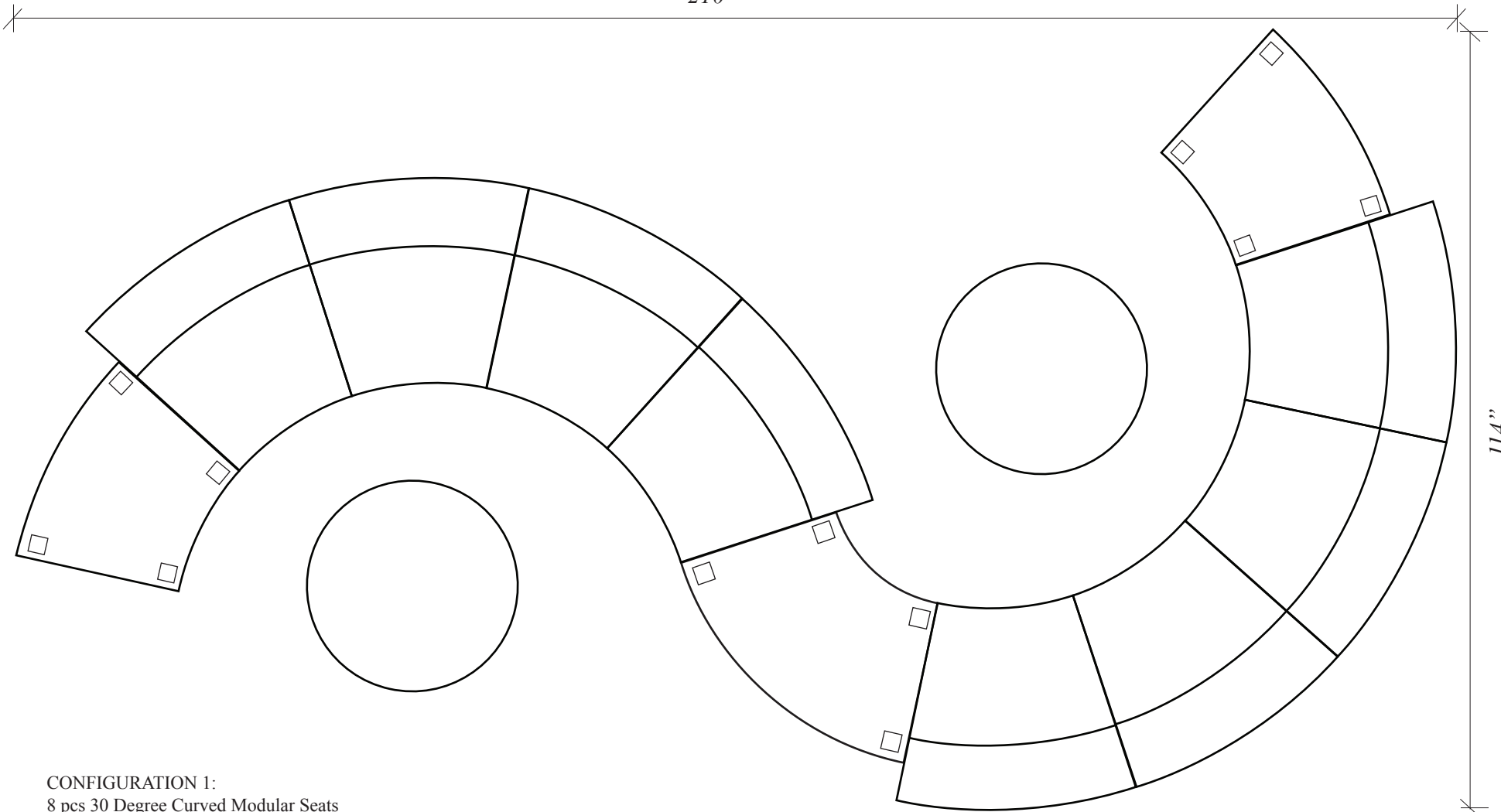


210"



114"

CONFIGURATION 1:
 8 pcs 30 Degree Curved Modular Seats
 1 pc 60 Degree Curved Table
 2 pcs 30 Degree Curved Table
 2 pcs 30" Round Table

Note: Line drawings are for illustration and dimension are approximate.

PROJECT NAME:

LAGUNA COLLECTION

FILE NAME:

CONFIGURATION 01

APPROVAL:

DATE: _____

SIGNATURE: _____

This drawing is property of Faustino's and modifications cannot be made without the consent of Faustino's. Misuse or misrepresentation of any information is prohibited

DRAWING BY:

NNC

SCALE:

N.T.S.

CHECKED BY:

DATE: _____



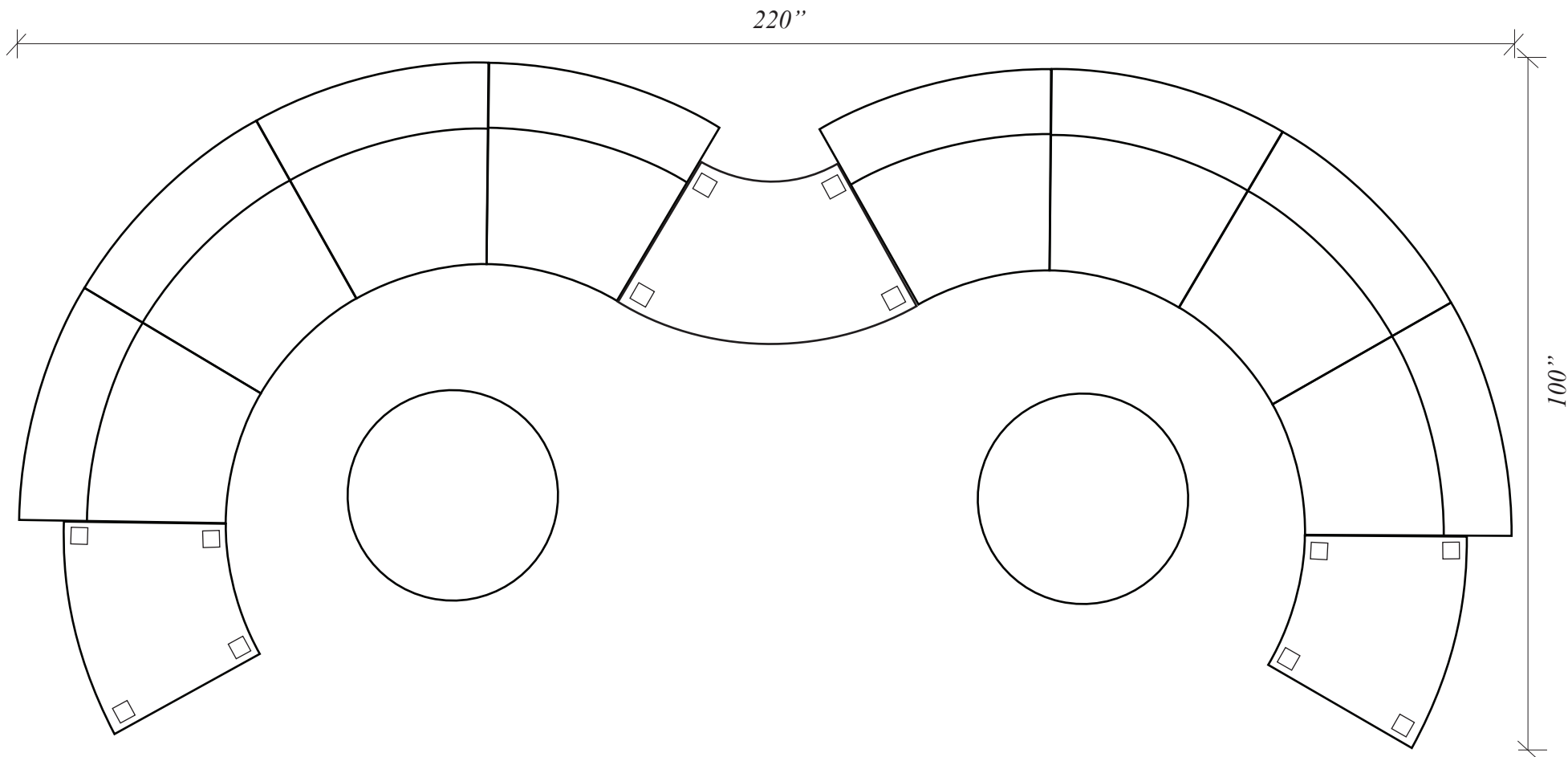
2425 S. Malt Avenue

Commerce, CA 90040

Phone: (323) 724-8055

Fax: (323) 724-8056

customerservice@faustinoschair.com



CONFIGURATION 2:
 8 pcs 30 Degree Curved Modular Seats
 1 pc 60 Degree Curved Table
 2 pcs 30 Degree Curved Table
 2 pcs 30" Round Table

Note: Line drawings are for illustration and dimension are approximate.

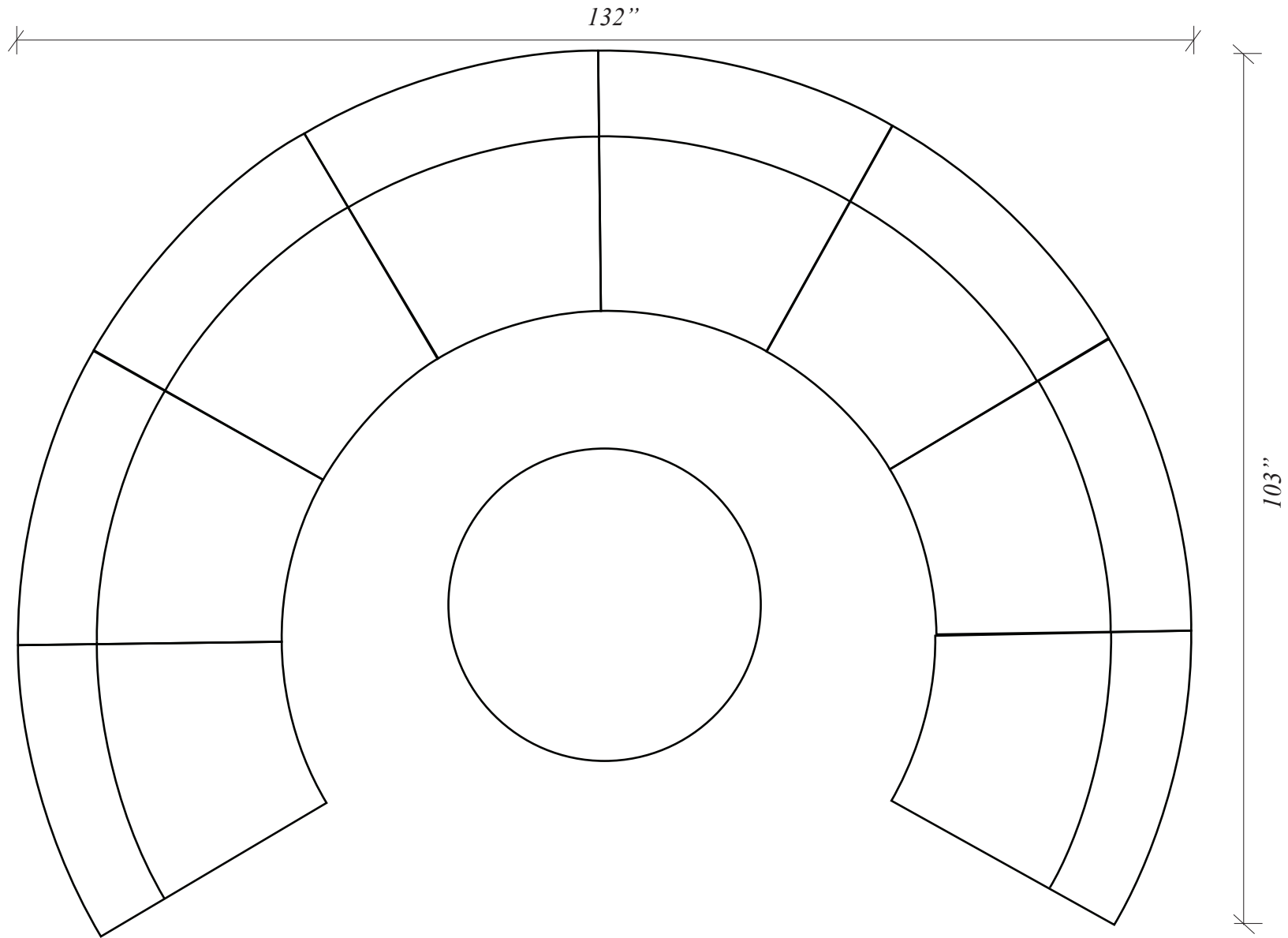
PROJECT NAME:
LAGUNA COLLECTION
 FILE NAME:
CONFIGURATION 02

APPROVAL: _____
 DATE: _____
 SIGNATURE: _____
 This drawing is property of Faustino's and modifications cannot be made without the consent of Faustino's. Misuse or misrepresentation of any information is prohibited

DRAWING BY: **NNC**
 SCALE: **N.T.S.**
 CHECKED BY: _____
 DATE: _____



2425 S. Malt Avenue
 Commerce, CA 90040
 Phone: (323) 724-8055
 Fax: (323) 724-8056
 customerservice@faustinoschair.com



CONFIGURATION 3:
 8 pcs 30 Degree Curved Modular Seats
 1 pc 36" Round Table

Note: Line drawings are for illustration and dimension are approximate.

PROJECT NAME:

LAGUNA COLLECTION

FILE NAME:

CONFIGURATION 03

APPROVAL:

DATE: _____

SIGNATURE: _____

DRAWING BY:

NNC

SCALE:

N.T.S.

CHECKED BY:

DATE: _____

This drawing is property of Faustino's and modifications cannot be made without the consent of Faustino's. Misuse or misrepresentation of any information is prohibited

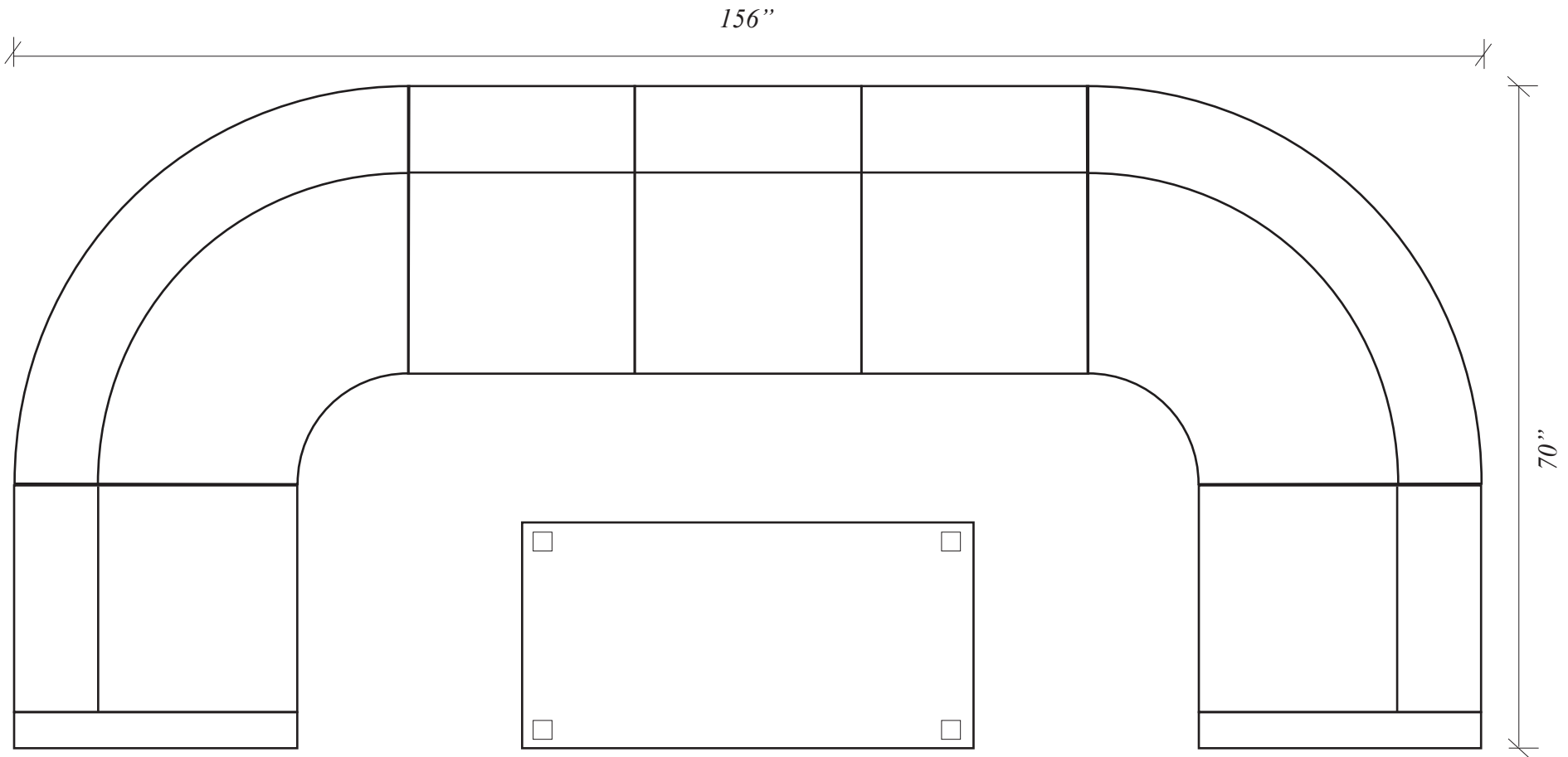


2425 S. Malt Avenue
 Commerce, CA 90040

Phone: (323) 724-8055

Fax: (323) 724-8056

customerservice@faustinoschair.com



CONFIGURATION 4:

- 2 pcs 90 Degree Curved Seats
- 3 pcs One Seater Armless
- 1 pc One Seater with Right Arm
- 1 pc One Seater with Left Arm
- 1 pc 24"x48" Coffee Table

Note: Line drawings are for illustration and dimension are approximate.

PROJECT NAME:
LAGUNA COLLECTION
 FILE NAME:
CONFIGURATION 04

APPROVAL: _____
 DATE: _____
 SIGNATURE: _____

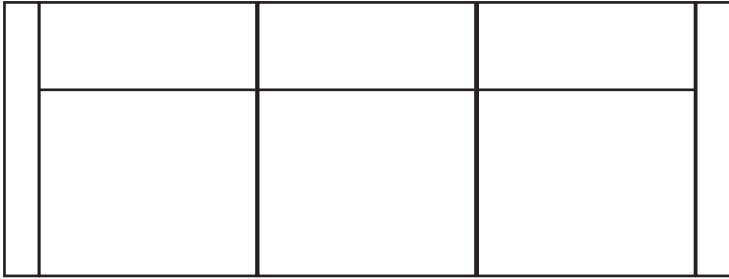
DRAWING BY: _____
NNC
 SCALE: _____
N.T.S.
 CHECKED BY: _____
 DATE: _____

This drawing is property of Faustino's and modifications cannot be made without the consent of Faustino's. Misuse or misrepresentation of any information is prohibited

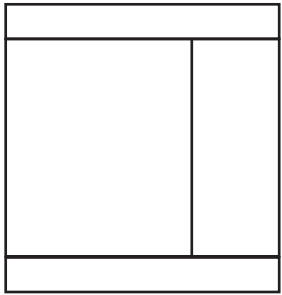
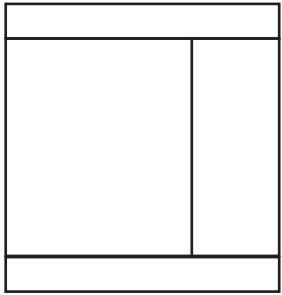
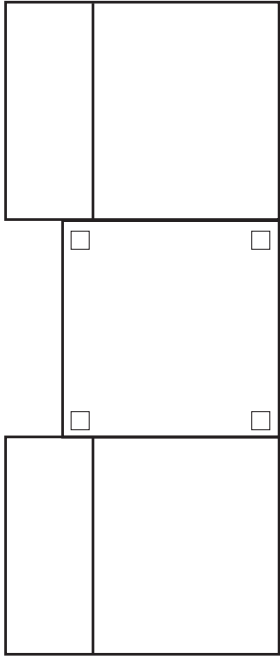


2425 S. Malt Avenue
 Commerce, CA 90040
 Phone: (323) 724-8055
 Fax: (323) 724-8056
 customerservice@faustinoschair.com

156"



120"



- CONFIGURATION 5:
- 1 pc One Seater with Right Arm
 - 1 pc One Seater with Left Arm
 - 3 pcs One Seater Armless
 - 2 pcs One Seater with Arms
 - 1 pc 24" x 48" Coffee Table
 - 1 pc 24" x 24" Inner Table

Note: Line drawings are for illustration and dimension are approximate.

PROJECT NAME: **LAGUNA COLLECTION**
 FILE NAME: **CONFIGURATION 05**

APPROVAL: _____
 DATE: _____

DRAWING BY: **NNC**
 SCALE: **N.T.S.**

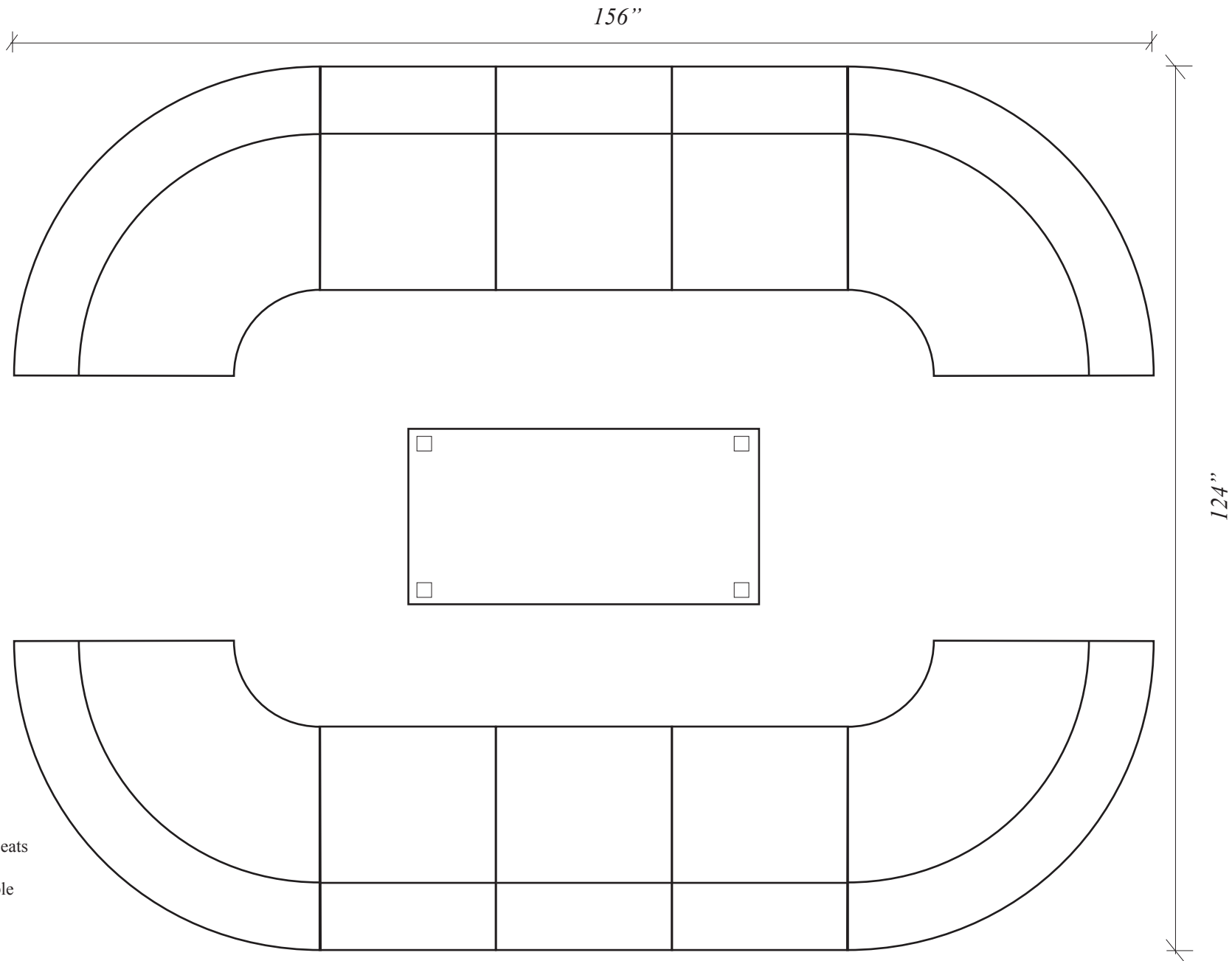
CHECKED BY: _____
 DATE: _____

SIGNATURE: _____

This drawing is property of Faustino's and modifications cannot be made without the consent of Faustino's. Misuse or misrepresentation of any information is prohibited



2425 S. Malt Avenue
 Commerce, CA 90040
 Phone: (323) 724-8056
 Fax: (323) 724-8056
 customerservice@faustinoschair.com



CONFIGURATION 6:
 4 pcs 90 Degree Curved Seats
 6 pcs One Seater Armless
 1 pc 24" x 48" Coffee Table

Note: Line drawings are for illustration and dimension are approximate.

PROJECT NAME:
LAGUNA COLLECTION
 FILE NAME:
CONFIGURATION 06

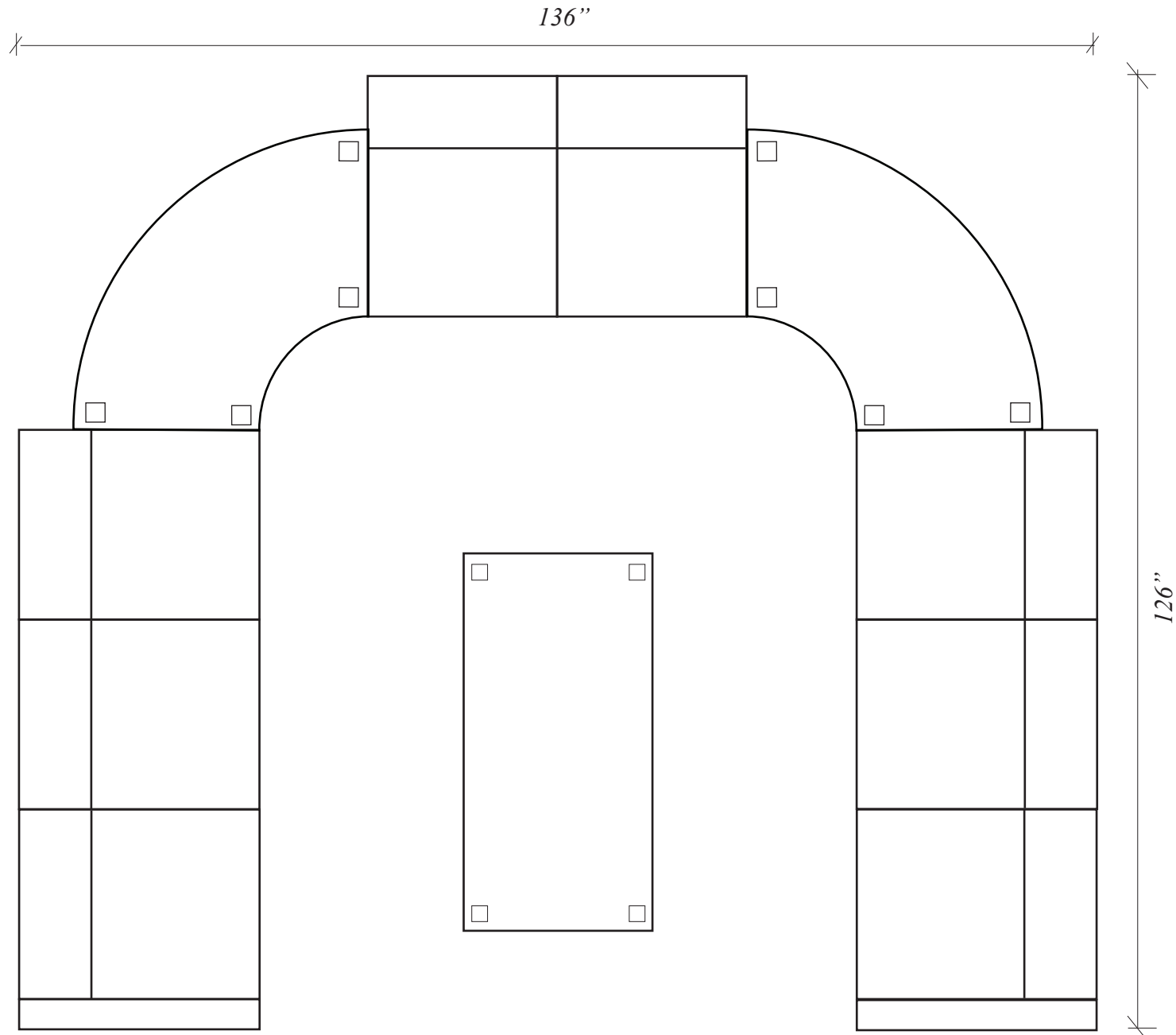
APPROVAL: _____
 DATE: _____
 SIGNATURE: _____

DRAWING BY: **NNC**
 SCALE: **N.T.S.**
 CHECKED BY: _____
 DATE: _____

This drawing is property of Faustino's and modifications cannot be made without the consent of Faustino's. Misuse or misrepresentation of any information is prohibited



2425 S. Malt Avenue
 Commerce, CA 90040
 Phone: (323) 724-8055
 Fax: (323) 724-8056
 customerservice@faustinoschair.com



CONFIGURATION 7:
 6 pcs One Seater Armless
 1 pc One Seater with Right Arm
 1 pc One Seater with Left Arm
 2 pcs 90 Degree Curved Table
 1 pc 24" x 48" Coffee Table

Note: Line drawings are for illustration and dimension are approximate.

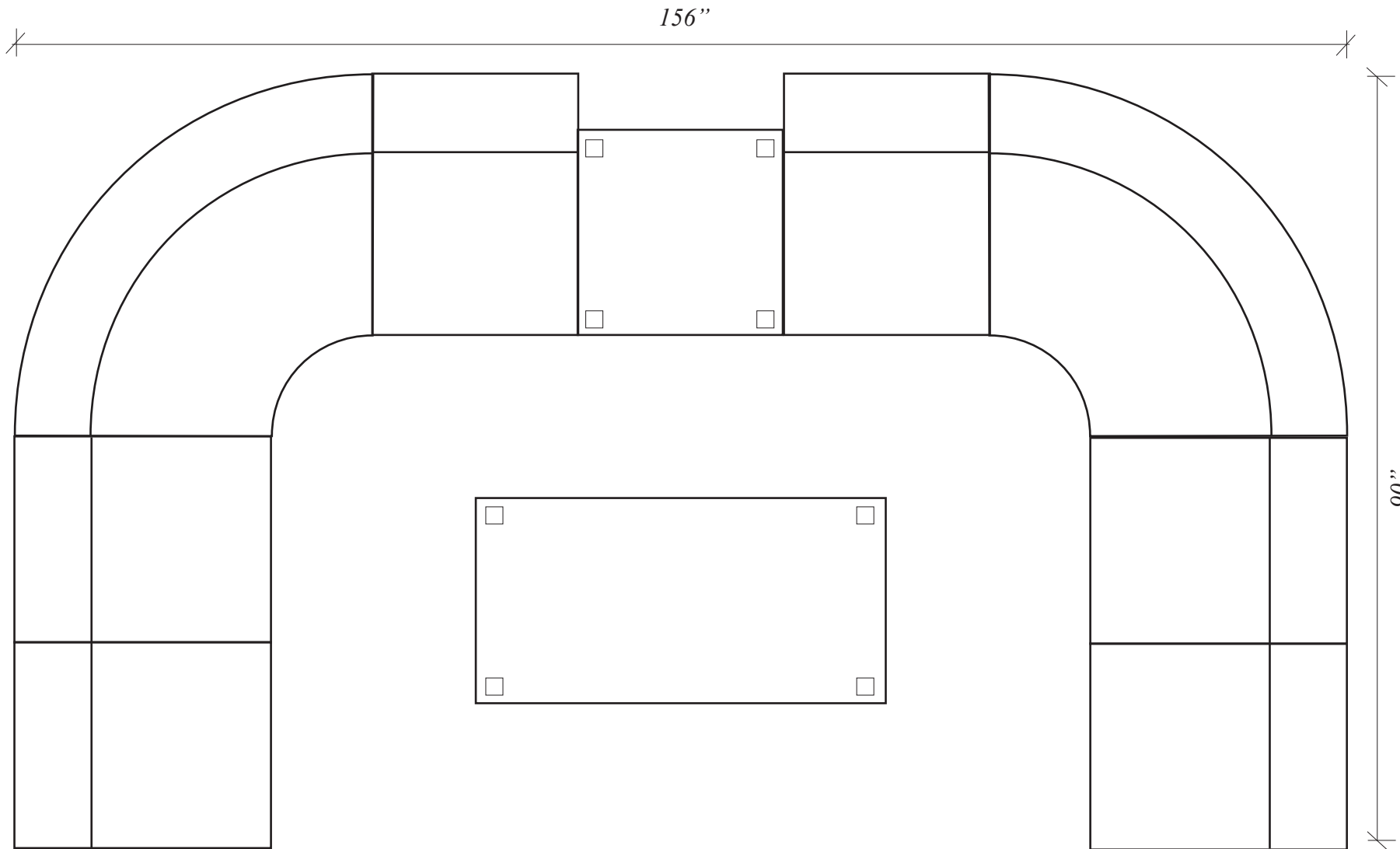
PROJECT NAME:
LAGUNA COLLECTION
 FILE NAME:
CONFIGURATION 07

APPROVAL: _____
 DATE: _____
 SIGNATURE: _____
 This drawing is property of Faustino's and modifications cannot be made without the consent of Faustino's. Misuse or misrepresentation of any information is prohibited

DRAWING BY: _____
NNC
 SCALE: _____
N.T.S.
 CHECKED BY: _____
 DATE: _____



2425 S. Malt Avenue
 Commerce, CA 90040
 Phone: (323) 724-8055
 Fax: (323) 724-8056
 customerservice@faustinoschair.com



CONFIGURATION 8:
 2 pcs 90 Degree Curved Seats
 6 pcs One Seater Armless
 1 pc 24" x 24" Inner Table
 1 pc 24" x 48" Coffee Table

Note: Line drawings are for illustration and dimension are approximate.

PROJECT NAME:
LAGUNA COLLECTION
 FILE NAME:
CONFIGURATION 08

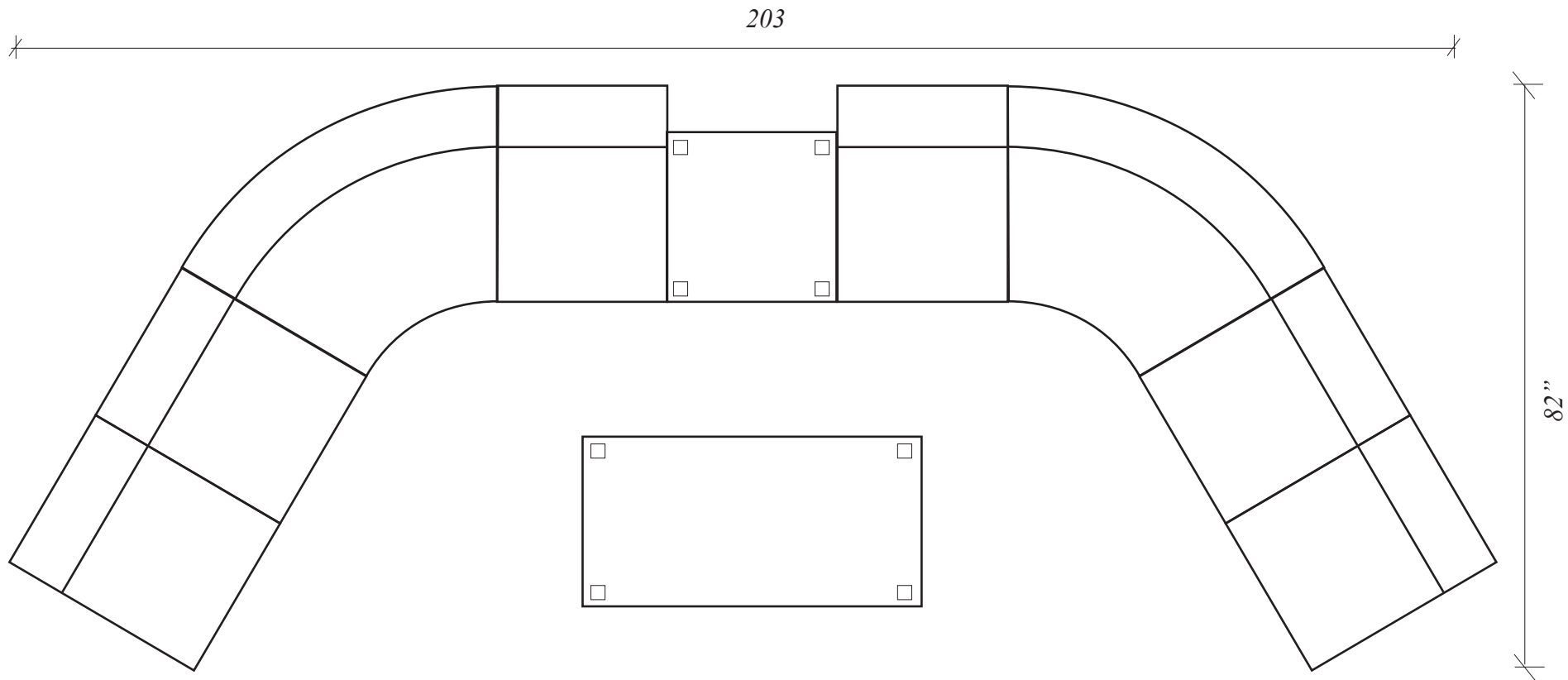
APPROVAL: _____
 DATE: _____
 SIGNATURE: _____

DRAWING BY: **NNC**
 SCALE: **N.T.S.**
 CHECKED BY: _____
 DATE: _____

This drawing is property of Faustino's and modifications cannot be made without the consent of Faustino's. Misuse or misrepresentation of any information is prohibited



2425 S. Malt Avenue
 Commerce, CA 90040
 Phone: (323) 724-8056
 Fax: (323) 724-8056
 customerservice@faustinoschair.com



CONFIGURATION 9:
 2 pcs 60 Degree Curved Seats
 6 pcs One Seater Armless
 1 pc 24" x 24" Inner Table
 1 pc 24" x 48" Coffee Table

Note: Line drawings are for illustration and dimension are approximate.

PROJECT NAME:

LAGUNA COLLECTION

FILE NAME:

CONFIGURATION 09

APPROVAL:

DATE: _____

SIGNATURE: _____

DRAWING BY:

NNC

SCALE:

N.T.S.

CHECKED BY:

DATE: _____

This drawing is property of Faustino's and modifications cannot be made without the consent of Faustino's. Misuse or misrepresentation of any information is prohibited



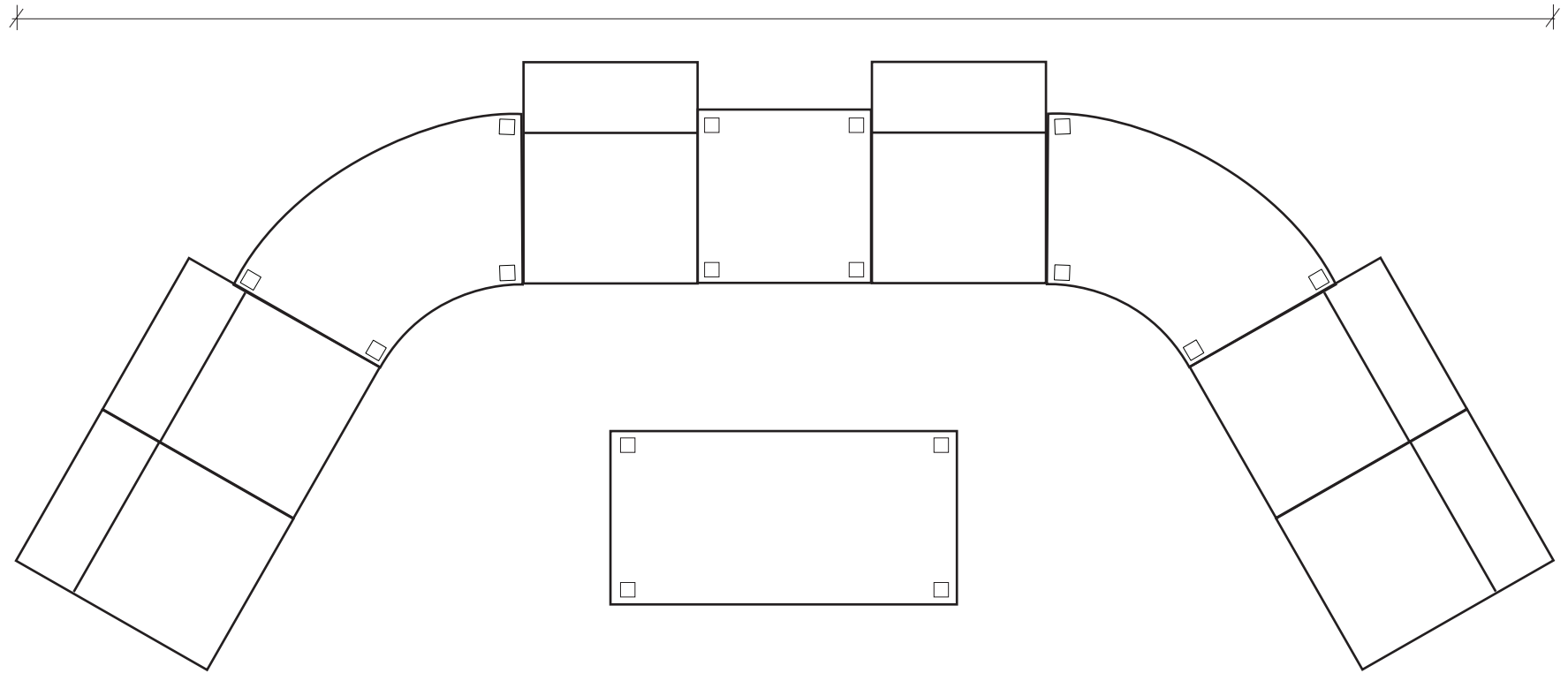
2425 S. Malt Avenue
Commerce, CA 90040

Phone: (323) 724-8055

Fax: (323) 724-8056

customerservice@faustinoschair.com

203



CONFIGURATION 10:
 6 pcs One Seater Armless
 2 pcs 60 Degree Curved Table
 1 pc 24" x 24" Inner Table
 1 pc 24" x 48" Coffee Table

Note: Line drawings are for illustration and dimension are approximate.

PROJECT NAME:
LAGUNA COLLECTION
 FILE NAME:
CONFIGURATION 10

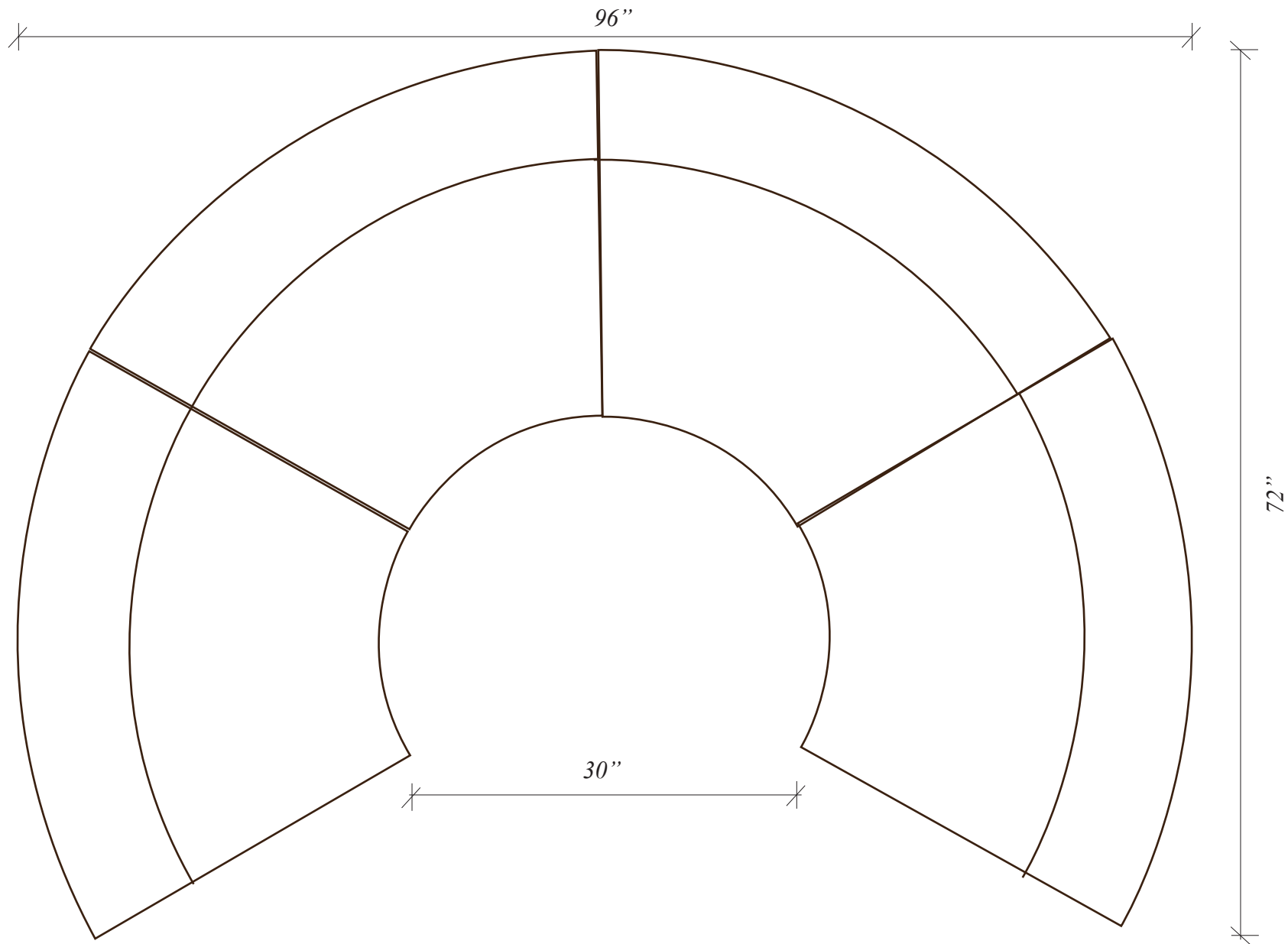
APPROVAL: _____
 DATE: _____
 SIGNATURE: _____

DRAWING BY: _____
NNC
 SCALE: _____
N.T.S.
 CHECKED BY: _____
 DATE: _____

This drawing is property of Faustino's and modifications cannot be made without the consent of Faustino's. Misuse or misrepresentation of any information is prohibited



2425 S. Malt Avenue
 Commerce, CA 90040
 Phone: (323) 724-8055
 Fax: (323) 724-8056
 customerservice@faustinoschair.com



CONFIGURATION 11:
4 pcs 60 Degree Curved Seats

Note: Line drawings are for illustration and dimension are approximate.

PROJECT NAME:

LAGUNA COLLECTION

FILE NAME:

CONFIGURATION 11

APPROVAL:

DATE: _____

SIGNATURE: _____

DRAWING BY:

NNC

SCALE:

N.T.S.

CHECKED BY:

DATE: _____

This drawing is property of Faustino's and modifications cannot be made without the consent of Faustino's. Misuse or misrepresentation of any information is prohibited



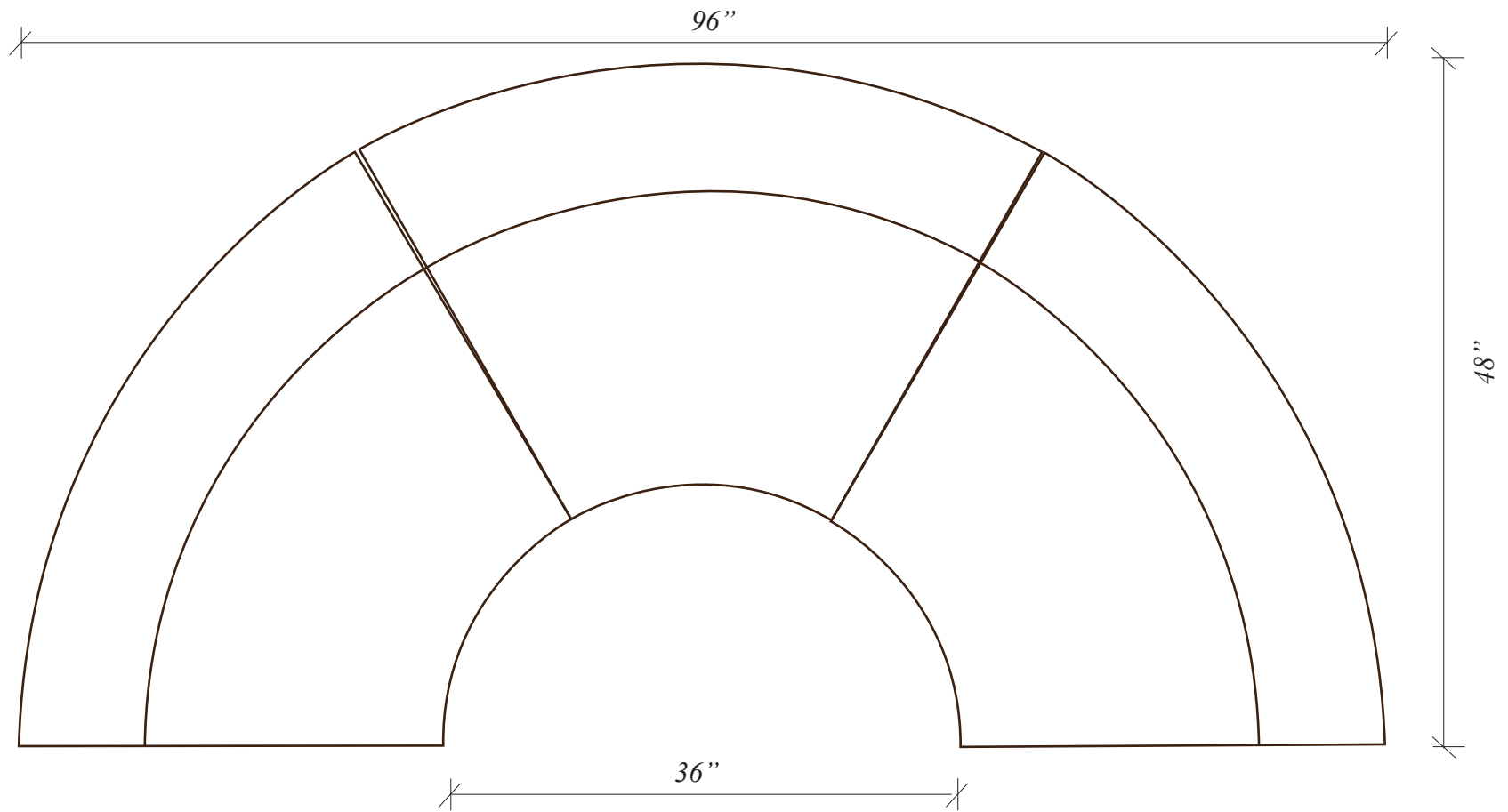
2425 S. Malt Avenue

Commerce, CA 90040

Phone: (323) 724-8055

Fax: (323) 724-8056

customerservice@faustinoschair.com



CONFIGURATION 12:
3 pcs 60 Degree Curved Seats

Note: Line drawings are for illustration and dimension are approximate.

PROJECT NAME:

LAGUNA COLLECTION

FILE NAME:

CONFIGURATION 12

APPROVAL:

DATE: _____

SIGNATURE: _____

DRAWING BY:

NNC

SCALE:

N.T.S.

CHECKED BY:

DATE: _____

This drawing is property of Faustino's and modifications cannot be made without the consent of Faustino's. Misuse or misrepresentation of any information is prohibited



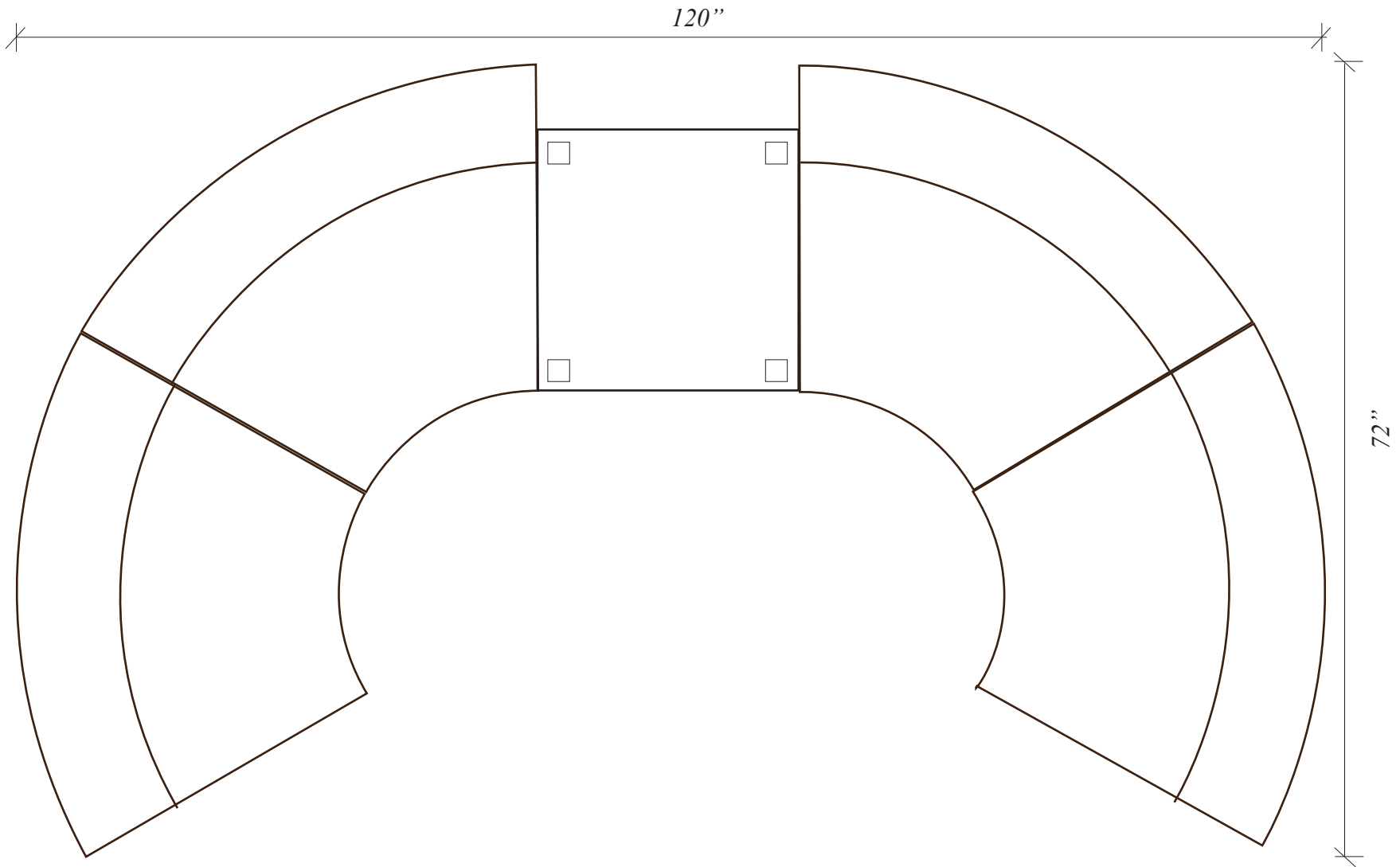
2425 S. Malt Avenue

Commerce, CA 90040

Phone: (323) 724-8055

Fax: (323) 724-8056

customerservice@faustinoschair.com



CONFIGURATION 13:
 4 pcs 60 Degree Curved Seats
 1 pc 24" x 24" Inner Table

Note: Line drawings are for illustration and dimension are approximate.

PROJECT NAME:

LAGUNA COLLECTION

FILE NAME:

CONFIGURATION 13

APPROVAL:

DATE: _____

SIGNATURE: _____

DRAWING BY:

NNC

SCALE:

N.T.S.

CHECKED BY:

DATE: _____

This drawing is property of Faustino's and modifications cannot be made without the consent of Faustino's. Misuse or misrepresentation of any information is prohibited



2425 S. Malt Avenue
 Commerce, CA 90040

Phone: (323) 724-8055

Fax: (323) 724-8056

customerservice@faustinoschair.com